

Specifications Sheet

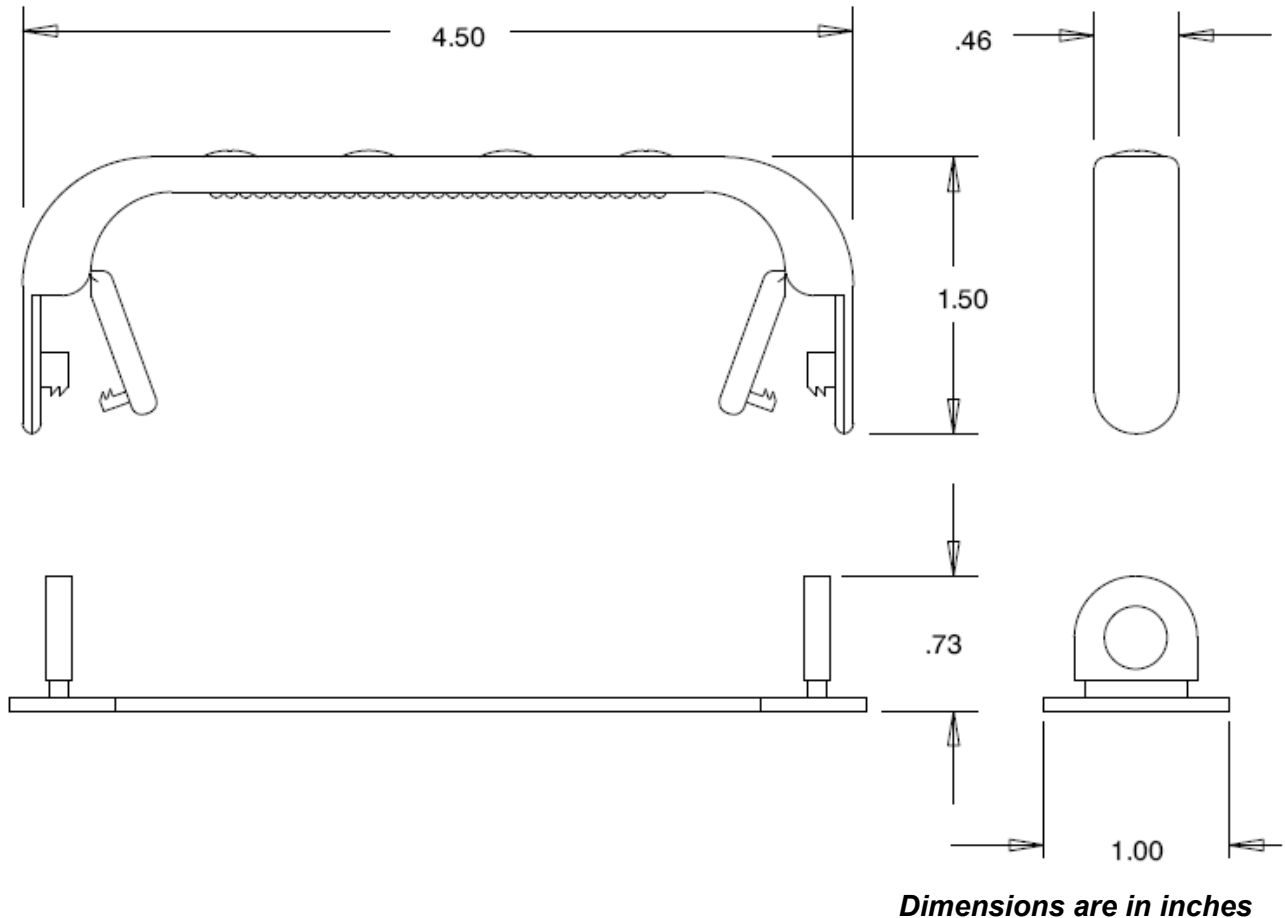
Product Description

Product Name #RM-224 4 1/2" x 1 1/2" Soft Touch
Capacity Up to 45 lbs
Material Poly-Propylene

Ordering Information

Colors White Black Translucent

Product Dimensions



Packing Information

Carton Pack 1,000 pieces/carton
Carton Weight 33 lbs

*Please Note:

Make die-cuts as small as possible so as not to weaken board. Ease of insertion of handle must also be taken into consideration and depends on the thickness of the board.

1. Die-cuts shown were used to determine carrying weight of the handle.
2. Each application requires individual examination to determine proper Die-cut.
3. LecoPlastics will be glad to assist you in determining the best applicable die-cut.
4. Carrying weights of handles are for reference only, and depends on your Flute and board type.

LECO
PLASTICS

Phone: 201-343-3330 Fax: 201-343-0558

Email: sales@lecoplastics.com
www.lecoplastics.com