

Specifications Sheet

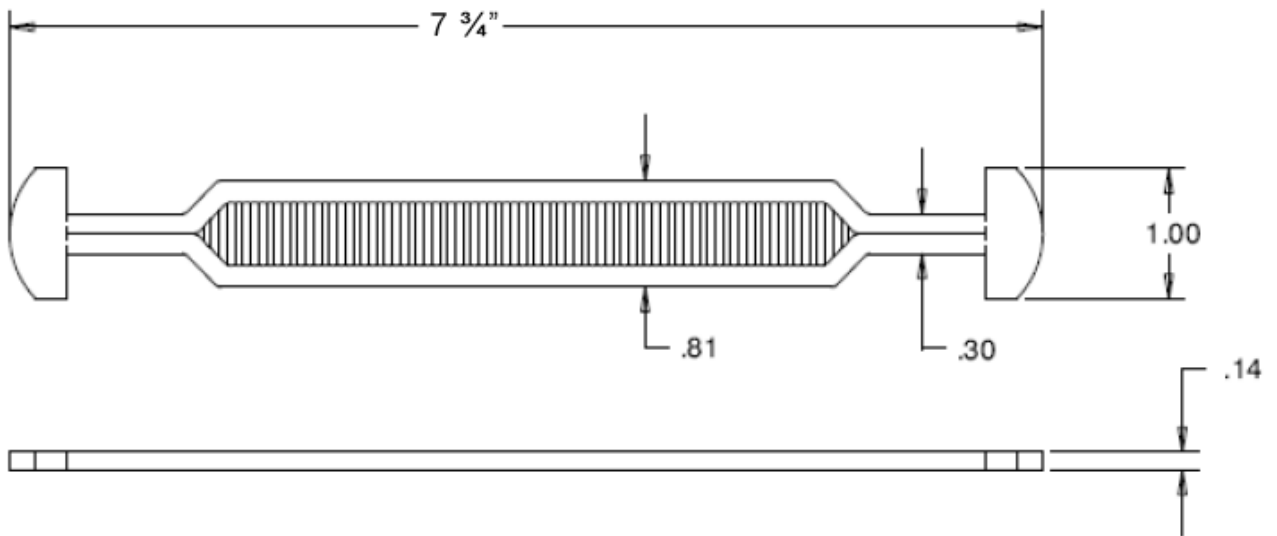
Product Description

Product Name SR-330 8"HD Heavy Duty 8" Handle
Material Low Density Polyethylene
Capacity Up to 65 lbs

Ordering Information

Colors Black, White

Product Dimensions



Dimensions are in inches

Die-Cut Dimensions



Dimensions are in inches



Phone: 201-343-3330 Fax: 201-343-0558

Email: sales@lecoplastics.com

www.lecoplastics.com

Specifications Sheet

Packing Information

Carton Pack	1500 pieces/carton
Carton Weight	55 lbs

***Please Note:**

Make die-cuts as small as possible so as not to weaken board. Ease of insertion of handle must also be taken into consideration and depends on the thickness of the board.

1. Die-cuts shown were used to determine carrying weight of the handle.
2. Each application requires individual examination to determine proper Die-cut.
3. LecoPlastics will be glad to assist you in determining the best applicable die-cut.
4. Carrying weights of handles are for reference only, and depends on your Flute and board type.



Phone: 201-343-3330 **Fax:** 201-343-0558

Email: sales@lecoplastics.com
www.lecoplastics.com