

# Specifications Sheet

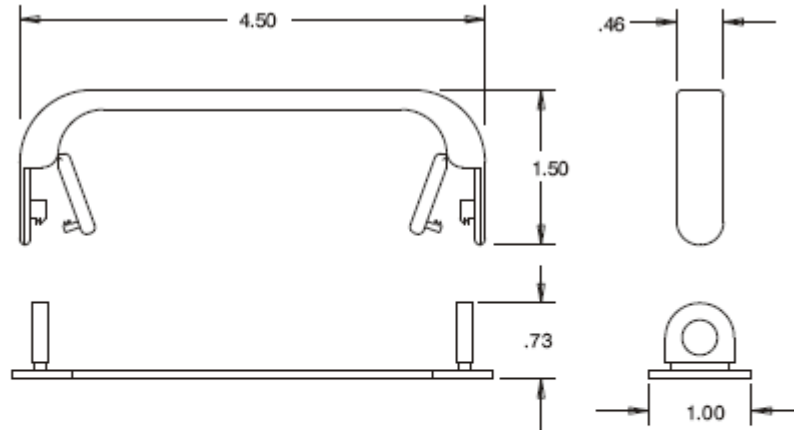
## Product Description

**Product Name** # DS-7132 1 1/2" x 4 1/2" Plastic Handle  
**Material** Polypropylene  
**Capacity** Up to 45 lbs

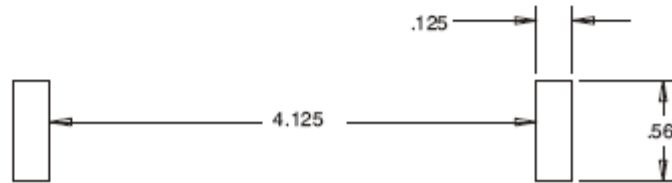
## Ordering Information

**Colors** Black, White, translucent

## Product Dimensions



## Die-cut Dimensions



*Dimensions are in inches*

## Packing Information

**Carton Pack** 1000 pieces/carton  
**Carton Weight** 33 lbs

**The DS-7132 allows for easy application with no special tools or machinery.**

### **\*Please Note:**

Make die-cuts as small as possible so as not to weaken board. Ease of insertion of handle must also be taken into consideration and depends on the thickness of the board.

1. Die-cuts shown were used to determine carrying weight of the handle.
2. Each application requires individual examination to determine proper Die-cut.
3. LecoPlastics will be glad to assist you in determining the best applicable die-cut.
4. Carrying weights of handles are for reference only, and depends on your Flute and board type.

**LECO**  
PLASTICS

Phone: 201-343-3330 Fax: 201-343-0558

Email: [sales@lecoplastics.com](mailto:sales@lecoplastics.com)  
[www.lecoplastics.com](http://www.lecoplastics.com)