

# Specifications Sheet

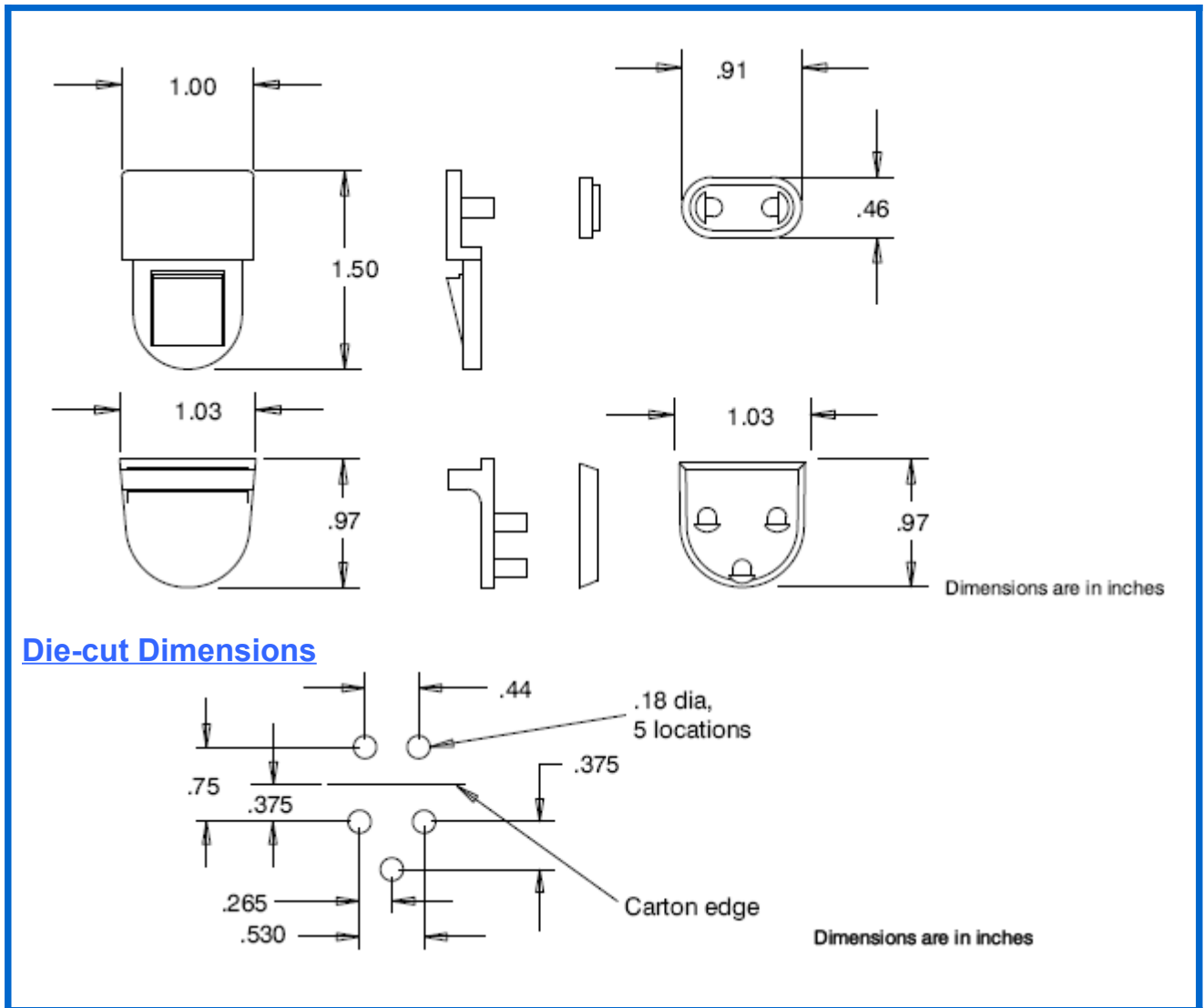
## Product Description

**Product Name** Tuky  
**Part #** Tuky  
**Material** POM  
**Capacity** Up to 35 lbs

## Ordering Information

**Colors** Black, White, Translucent

## Product Dimensions



## Packing Information

**Carton Pack:** 2,000  
**Carton Weight:** 35 lbs



Phone: 201-343-3330 Fax: 201-343-0558

[www.lecoplastics.com](http://www.lecoplastics.com)

email: [sales@lecoplastics.com](mailto:sales@lecoplastics.com)