

Specifications Sheet

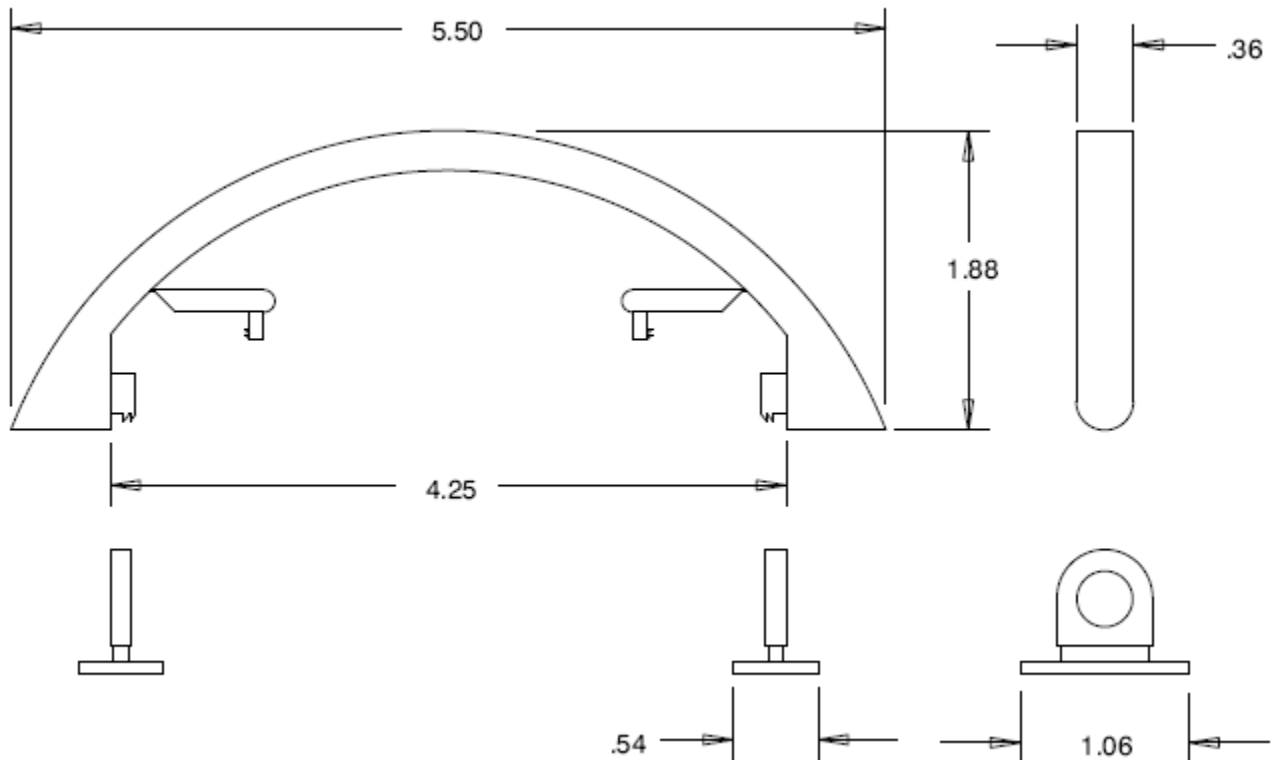
Product Description

Product Name # MB-127 1 7/8" x 5 1/2" Plastic Handle
Material Polypropylene
Capacity Up to 45 lbs

Ordering Information

Colors Black, White, Translucent

Product Dimensions



Dimensions are in inches

Packing Information

Carton Pack 2500 pieces/carton
Carton Weight 33 lbs

***Please Note:**

Make die-cuts as small as possible so as not to weaken board. Ease of insertion of handle must also be taken into consideration and depends on the thickness of the board.

1. Die-cuts shown were used to determine carrying weight of the handle.
2. Each application requires individual examination to determine proper Die-cut.
3. LecoPlastics will be glad to assist you in determining the best applicable die-cut.
4. Carrying weights of handles are for reference only, and depends on your Flute and board type.

LECO
PLASTICS

Phone: 201-343-3330 Fax: 201-343-0558

Email: sales@lecoplastics.com

www.lecoplastics.com