

# Specifications Sheet

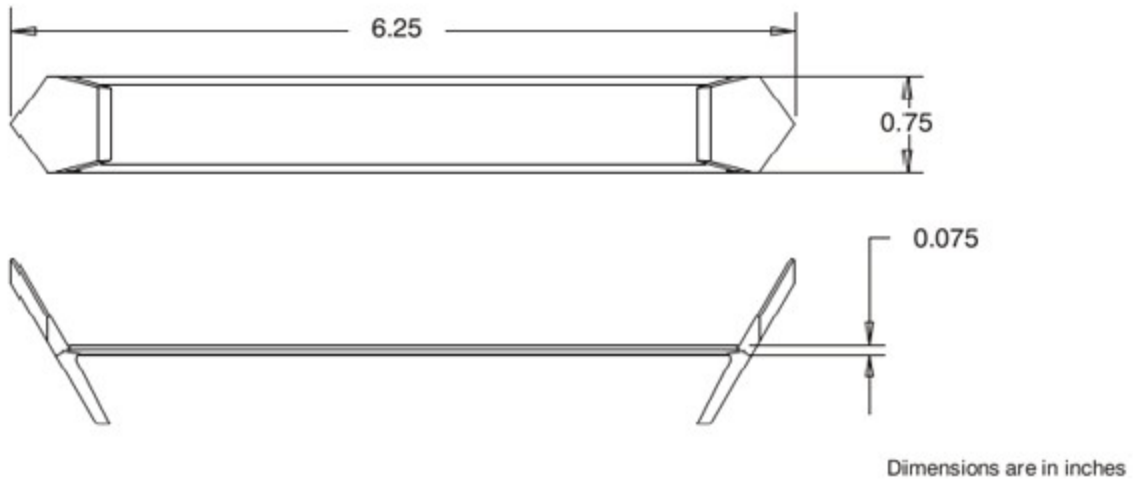
## Product Description

**Product Name** 3/4" x 6 1/4" Arrow Handle  
**Material** Low Density Polyethylene  
**Capacity** Up to 45 lbs

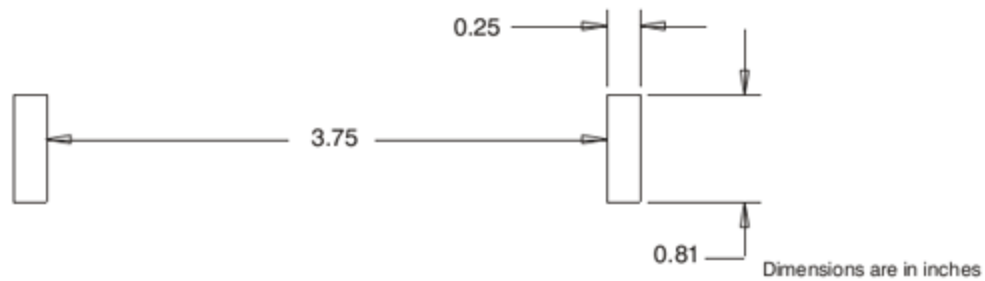
## Ordering Information

**Colors** Black, White, Translucent

## Product Dimensions



## Die-cut Dimensions



## Packing Information

**Carton Pack** 2500 pieces/carton  
**Carton Weight** 33 lbs



Phone: 201-343-3330 Fax: 201-343-0558

Email: [sales@lecooplastics.com](mailto:sales@lecooplastics.com)  
[www.lecooplastics.com](http://www.lecooplastics.com)

# Specifications Sheet

**\*Please Note:**

Make die-cuts as small as possible so as not to weaken board. Ease of insertion of handle must also be taken into consideration and depends on the thickness of the board.

1. Die-cuts shown were used to determine carrying weight of the handle.
2. Each application requires individual examination to determine proper Die-cut.
3. LecoPlastics will be glad to assist you in determining the best applicable die-cut.
4. Carrying weights of handles are for reference only, and depends on your Flute and board type.



Phone: 201-343-3330 Fax: 201-343-0558

Email: [sales@lecoplastics.com](mailto:sales@lecoplastics.com)  
[www.lecoplastics.com](http://www.lecoplastics.com)